

WOOD BARRICADE CONSTRUCTION CHART

ROUNDED BARRIERS

BILL OF MATERIALS - FOR EACH TYPICAL JOINT

3 - 2x4 x 10' - RAILS & VERTICALS

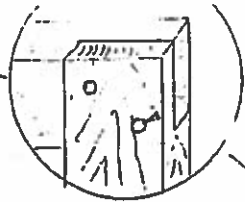
2 - 2x4 x 8' - LEGS

12 - $\frac{5}{16}$ x $\frac{3}{4}$ CARRIAGE BOLTS

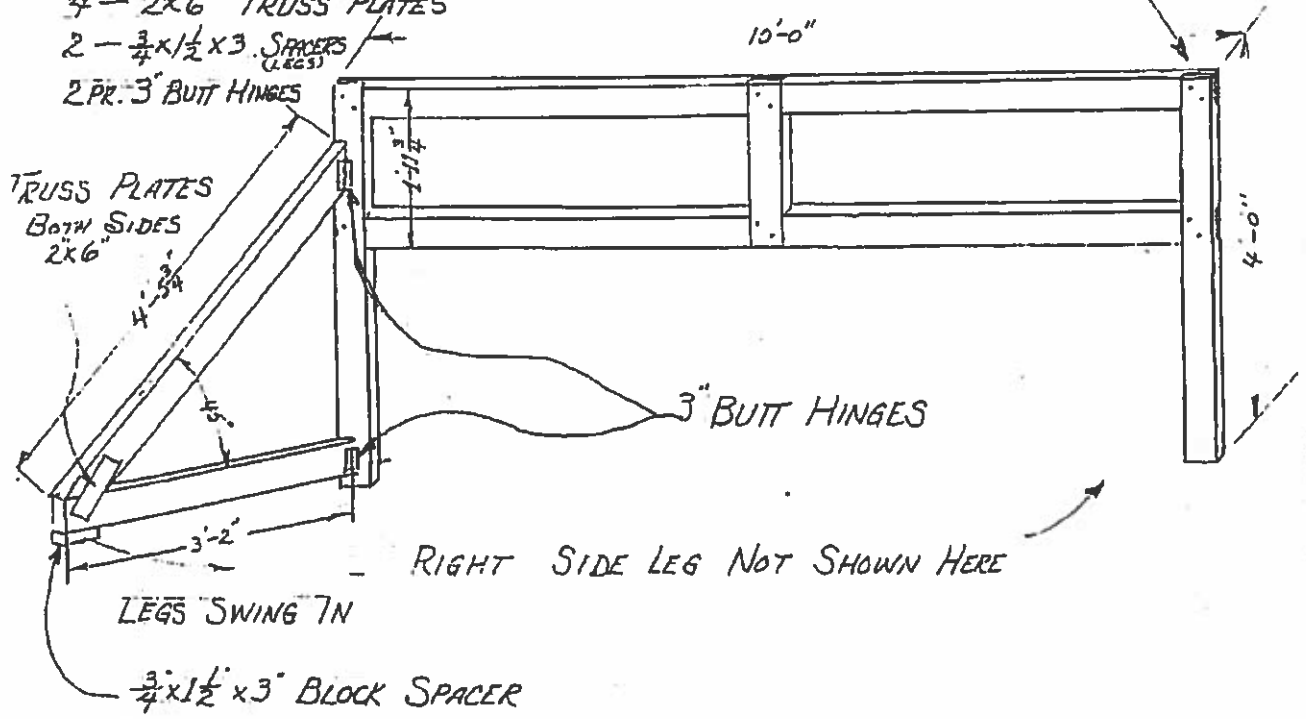
37 - 2x6" TRUSS PLATES

2 - $\frac{3}{4}$ x $\frac{1}{2}$ x 3" SPACERS (LEGS)

2 PR. 3" BUTT HINGES



$\frac{5}{16}$ x $\frac{3}{4}$ CARRIAGE BOLTS
WASHERS & NUTS ON BACK SIDE



RIGHT SIDE LEG NOT SHOWN HERE

LEGS SWING IN

$\frac{3}{4}$ x $\frac{1}{2}$ x 3" BLOCK SPACER

TRUSS PLATES
BOTH SIDES
2x6"

3" BUTT HINGES